

Miele

Operating and installation instructions




Under counter wine cooler KWT 4154 UG-1

en - CA

To prevent accidents and machine damage
read these instructions **before**
installation or use.

M.-Nr. 06 873 220

Contents

IMPORTANT SAFETY INSTRUCTIONS	4
Description of the appliance	7
Caring for the environment	9
Switching on and off	10
Safety lock	10
Turning off for longer periods of time	11
Optimum temperature and humidity	12
Temperature	12
Safety features	12
Isolation shelf for thermal separation	12
Setting the temperature	12
Temperature range	13
Temperature display	13
Temperature display brightness	13
Humidity level	14
Constant humidity (Dynamic cooling) button 	14
Turning off Dynamic Cooling	15
Air exchange through the activate charcoal filter	15
Interior lighting	16
Switching on the interior lighting	16
Adjusting the brightness	16
Storing wine bottles	17
Capacity	17
Wooden shelves	17
Descriptive labels	17
Alarm	18
Temperature alarm	18
Door alarm	18
Activating the alarm system	18
Turning the alarm off early	18
Defrosting	19
Cleaning and care	20
Cleaning the interior, door and accessories	20
Ventilation slits	20
Door seal	21
Active charcoal filter	21

Problem-solving guide	22
Noises	24
After sales service	25
Electrical connection	28
Installation	29
Location	29
Climate range	29
Ventilation	29
Before installation	29
Changing the door hinging	30
Under-counter installation	32
Appliance dimensions	32
Adjustments	32
Preparing the appliance	32
Fitting the appliance into place	33

IMPORTANT SAFETY INSTRUCTIONS

When using the appliance, follow basic safety precautions, including the following:

Read all instructions before installation and use to prevent accidents and machine damage.

This appliance is intended for residential use only. Use only as described in this Operating manual.

Only use the appliance for its intended purpose. The manufacturer cannot be held responsible for damages caused by improper use of this appliance.

This appliance complies with current safety requirements. Improper use of the appliance can lead to personal injury and material damage.

Keep these operating instructions in a safe place and pass them on to any future user.

Warning: At an altitude of more than 5900 ft (1500 m) the glass door can break. Danger of injuries.

Electrical safety

- ▶ Before installation, make sure that the voltage and frequency listed on the data plate correspond with the household electrical supply. This data must correspond to prevent injury and machine damage. Consult a qualified electrician if in doubt.
- ▶ Before installation or service, disconnect the power supply to the work area by unplugging the unit, "tripping" the circuit breaker or removing the fuse.
- ▶ Do not use an extension cord to connect this appliance to electricity. Extension cords do not guarantee the required safety of the appliance (e.g., danger of overheating).
- ▶ Be certain your appliance is properly installed and grounded by a qualified technician. To guarantee the electrical safety of this appliance continuity must exist between the appliance and an effective grounding system. It is imperative that this basic safety requirement be met. If there is any doubt, have the electrical system of the house checked by a qualified electrician. The manufacturer cannot be held responsible for damages caused by the lack, or inadequacy, of an effective grounding system.
- ▶ Only connect power to the appliance when all installation work is complete.

IMPORTANT SAFETY INSTRUCTIONS

Installation

This appliance is top-heavy and must be secured to prevent the possibility of tipping forward. Keep the door closed until the appliance is completely installed and secured per installation instructions.

- ▶ This appliance must be installed and connected in compliance with the installation instructions.
- ▶ Installation and repair work should be performed by a Miele authorized service technician. Work by unqualified persons could be dangerous and may void the warranty.
- ▶ Do not operate any appliance with a damaged cord or plug, or if the appliance has been damaged in any manner. Contact Miele's Technical Service Department.
- ▶ This equipment is not designed for maritime use or for use in mobile installations such as recreational vehicles or aircraft.
- ▶ Do not install the appliance in a room with too low an ambient temperature, e.g., a garage, as this may lead to the appliance switching off for longer periods so that it cannot maintain the required temperature.

Use

- ▶ Persons who lack physical, sensory or mental abilities, or experience with the machine should not use it without supervision or instruction by a responsible person.
- ▶ To reduce the risk of injury, do not allow children to play in, on or near the appliance, especially in the door hinge area.
- ▶ Do not store or use gasoline or other flammable vapors and liquids in the vicinity of this or any other appliance.
- ▶ Do not use any oils or grease on the door seal, as these will cause the seal to deteriorate and become porous with time.
- ▶ Do not block the ventilation gaps in the plinth or the top of the appliance housing unit as this would impair the efficiency of the appliance, increase the electricity consumption and could cause damage to the appliance.
- ▶ Never use a steam cleaner to clean the appliance. Pressurized steam could damage electrical components and cause a short circuit.
- ▶ Do not use any electrical equipment inside the appliance. Danger of injury.

IMPORTANT SAFETY INSTRUCTIONS

Disposal of your old appliance

- ▶ Before disposing of an old appliance, first make the door latch or lock unusable.
- ▶ Take off the doors.
- ▶ Leave the shelves in place so that children may not easily climb inside.
- ▶ Consult with your municipal policy on recycling.
- ▶ Be careful not to damage any part of the pipework while awaiting disposal by:
 - puncturing the refrigerant channels in the evaporator.
 - bending any pipework.
 - scratching the surface coating.

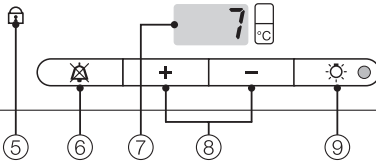
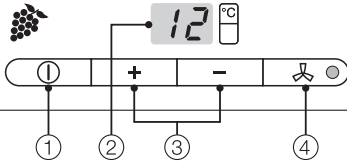
Splashes of refrigerant can damage the eyes.

- ▶ Your old refrigerator may have a cooling system that used CFC's (chlorofluorocarbons). CFC's are believed to harm stratospheric ozone. If you intentionally release this CFC refrigerant, you can be subject to fines and imprisonment under provisions of environmental legislation. Make sure the CFC refrigerant is removed and disposed of by a qualified technician.

The manufacturer cannot be held liable for damage caused by non-compliance with these Important Safety instructions.

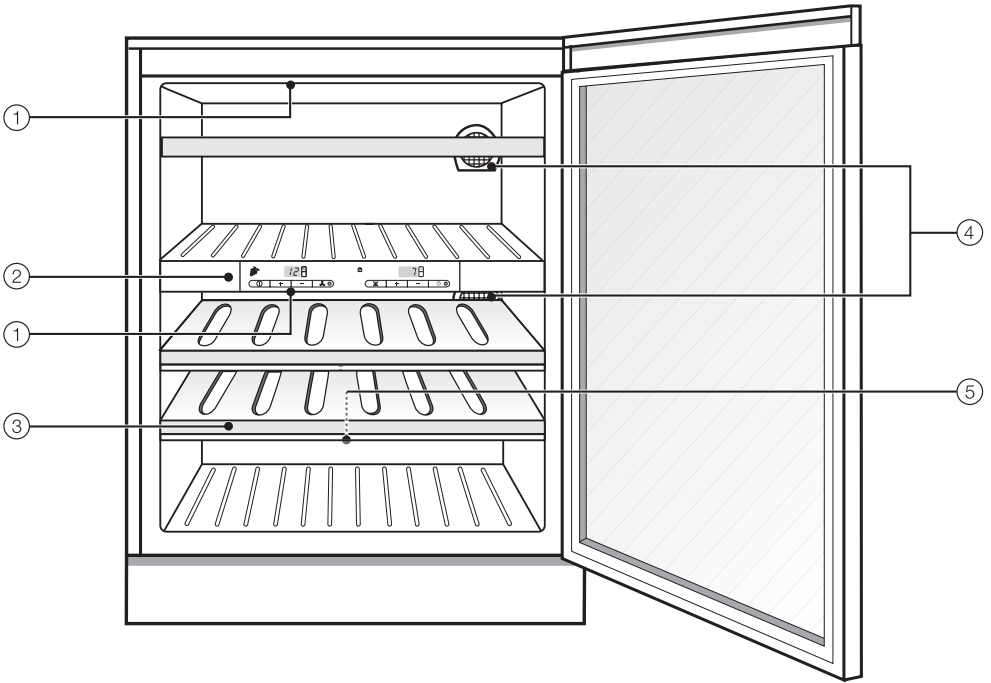
**SAVE THESE
INSTRUCTIONS**

Description of the appliance



- ① On/Off button
- ② Temperature display for upper zone
- ③ Temperature selector buttons for upper zone (+ for warmer; - for colder)
- ④ Constant humidity (Dynamic cooling) button and indicator light
- ⑤ Safety lock indicator light
- ⑥ Alarm Off button
- ⑦ Temperature display for lower zone
- ⑧ Temperature selector buttons for upper zone (+ for warmer; - for colder)
- ⑨ Interior lighting button and indicator light

Description of the appliance



- ① Interior lighting
- ② Isolation shelf for thermal separation
- ③ Wooden shelf with decorative strip for descriptive labels
- ④ Active charcoal filter
- ⑤ Condensate channel and drain hole

Disposal of packing materials

The cardboard box and packing materials are biodegradable and recyclable. Please recycle.

Ensure that any plastic wrappings, bags, etc., are disposed of safely and kept out of the reach of babies and young children. Danger of suffocation!

Disposal of an old appliance

Old appliances contain materials that can be recycled. Please contact your local recycling center about the possibility of recycling these materials.

Before discarding an old appliance, disconnect it from the gas and electrical supply and cut off the power cord to prevent it from becoming a hazard.

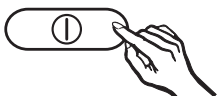
Switching on and off

Before using for the first time

- Clean the inside of the appliance and the accessories with warm water and a little dishwashing liquid, then dry with a soft cloth.

To ensure that the appliance functions correctly, let it stand for 30 minutes to 1 hour once it has been transported to its final location, and before connecting it to the power supply.

Turning the appliance on



- Press the On/Off button so that the temperature displays light up.

The alarm will sound. The appliance starts to cool down, and the interior lighting will come on when the door is opened.

Switching off the alarm



- Press the Alarm Off button.

The alarm will stop. The temperature displays will continue to flash until the set temperatures have been reached.

Turning the appliance off

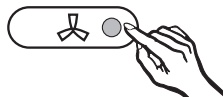
- Press the On/Off button until the temperature displays go out.

The cooling system switches off. (If this does not happen, the safety lock is still activated).

Safety lock

The safety lock can be activated to prevent the appliance from being switched off inadvertently.

Activating or de-activating the safety lock



- Press and hold the constant humidity button for approx. 5 seconds.

The constant humidity indicator light will flash, and a **c** will flash in the right-hand temperature display.


- Press the constant humidity button again.

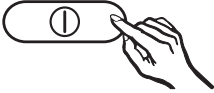
c will light up in the display.



- You can now choose between **c 0** and **c 1** by pressing the left-hand temperature selector buttons:
 - 0**: the safety lock is de-activated,
 - 1**: the safety lock is activated.

- Press the constant humidity button to save the setting.

The safety lock indicator light  will light up when the safety lock has been activated.



- Press the On/Off button to come out of setting mode. If you do not do this, the appliance will automatically switch over to normal operation after a few minutes.

Turning off for longer periods of time

If the appliance is not going to be used for a longer period of time (for example, during a vacation) some precautions should be taken.

- Turn the appliance off at the main switch.
- Unplug the appliance.
- Clean the interior.
- Leave the doors open to prevent odors.

Optimum temperature and humidity

Wine will continue to mature depending on the surrounding conditions. The length of time which wine can be kept in good condition will therefore depend not only on the temperature but also on the air quality.

Temperature

Wine can be stored at a temperature between 5°C and 18°C (41°F - 64°F). The optimum temperature is approx. 10-12°C (50°F - 54°F). Most white wines are palatable at this temperature. It is best to take red wine out of the appliance about two hours before drinking. Open the wine to allow it to breathe so the aroma can develop. After two hours, red wine will be at the correct temperature for drinking.

If wine is stored at a temperature above 22°C (72°F) it will mature too quickly. By contrast, wine should not be stored below 5°C (41°F) for a long period of time, as it will not mature fully at this low temperature.

Fluctuations in temperature put wine under stress and interrupt the maturing process. Therefore, it is very important to maintain a constant temperature.

Safety features

A thermostat in the wine cooler prevents the temperature from falling too low. Internal heating automatically switches on as needed, to keep the temperature inside as constant as possible.

Isolation shelf for thermal separation

The appliance has a fixed isolation shelf, which divides the cabinet into two zones. The temperature for each zone can be set separately, so that different wines (red and white) can be stored at their ideal temperature.

Setting the temperature

The temperatures are set using the two buttons under the temperature displays.



Press the

- + button: to set the temperature warmer
- button: to set the temperature colder

The temperature being set will flash in the display.

When pressing the buttons, the following information appears in the display:

- When first pressed, the **last temperature selected** flashes.
- Each subsequent press of the button adjusts the temperature shown in 1 °C increments.
- Holding the button adjusts the temperature continually.

Optimum temperature and humidity

Approx. 5 seconds after releasing the button, the **current** temperature inside the applicable zone will be automatically shown.

The two temperature zones are cooled alternately, which means that (depending on the quantity of wine being stored) it can take several hours for the required temperature to be reached, and for the temperature display to adjust. If, after this time, the temperature is still too high or too low, you will need to adjust it again.

Temperature range

The temperature can be adjusted from 5°C to 18°C (41°F - 64°F).

Temperature display

During normal operation, the temperature displays on the control panel show the temperatures inside the appliance.

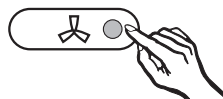
The **temperature display will flash** if

- a different temperature is being set,
- the temperature in one of the zones deviates by more than 5 °C from the set temperature.

Temperature display brightness

The appliance is supplied with the brightness of the temperature display set as low as possible.

You can adjust the brightness of the temperature display as follows (both temperature displays will be adjusted together):



- Press and hold in the constant humidity button for approx. 5 seconds.

The constant humidity indicator light will flash, and a **h** will flash in the right-hand temperature display.



- Repeatedly press one of the left-hand temperature selector buttons for the upper zone until:

h appears in the display.

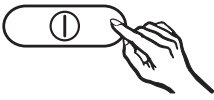
- Press the constant humidity button again.

h lights up in the display.

- You can now adjust the brightness level by pressing the temperature selector buttons for the upper zone. You can choose from settings **1** to **5**:
1: lowest setting,
5: brightest setting.

Optimum temperature and humidity

- Press the constant humidity button to save the setting.



- Press the On/Off button to come out of the setting mode. If you do not do this, the appliance will automatically switch over to normal operation after a few minutes.

Humidity level

In a conventional refrigerator, the humidity levels are too low for storing wines. High humidity levels (60 - 70 %) are very important for the storage of wine, so that the corks remain moist.

Under low humidity, the corks dry out from the outside and can no longer seal the bottles properly. This is why wine bottles should always be stored lying down, so that the wine can keep the corks moistened from within. If air enters the bottle, a wine will inevitably spoil.

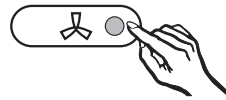
Tip: Wine bottles should stand upright for at least two hours before serving, or, better still whole day long, to enable deposits to settle to the bottom of the bottle.


Constant humidity (Dynamic cooling) button

This setting enables the relative humidity (and temperature) inside the wine cooler to be distributed evenly throughout the interior, so that you can store all your wine under exactly the same excellent conditions.

Turning on Dynamic Cooling

If you would like to use the wine cooler to store wine for the long term, the constant humidity setting should be activated. This will create a continuous climate inside the appliance, imitating that of a wine cellar.




- Press the constant humidity button . The indicator light will come on.

Even if this setting has not been activated, the fan in the appliance will come on automatically when the cooling system switches on, to ensure your wine is kept in the optimum climate.

The fan automatically switches off when the door is open.

Turning off Dynamic Cooling

Because the appliance uses more energy when this setting is switched on, it should not be left on all the time.

- To turn off the setting, press the constant humidity button . The indicator light will go out.

Air exchange through the activate charcoal filter

External air passes through the filter before entering the unit.

The active charcoal filter ensures that only clean, odor-free air enters the unit, creating additional protection against odor contamination.

The filter will need to be changed periodically, or when odors are present in the unit. See "Cleaning and Care - Active charcoal filter" for more information.

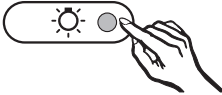
Interior lighting

There is lighting in both the upper and lower zones of the wine cooler, so that both zones can be lit up.

Do NOT remove the lamp covers! Should the covers become damaged and need to be removed, **exercise caution**. There are lasers in the lighting (laser beam class 1M), which you should avoid looking at directly!

Switching on the interior lighting

Generally, wine should be stored in dark conditions. However, the interior lighting can be switched on to enable you to see the wine stored in the wine cooler.



- Press the interior lighting button.

Both lights are turned on or off simultaneously.

Adjusting the brightness

The brightness of the interior lighting can be adjusted.

- Press and hold the interior lighting button.



- At the same time, press the right-hand temperature selector buttons for the lower zone.

Press the

+ button: to dim the lighting

- button: to make the lighting brighter

Any vibration or movement of a wine bottle can interrupt the natural breathing process of the wine, which affects the taste.

As much as possible, store bottles of the same type of wine beside each other on the same shelf. Removing a bottle of one type will then leave the other types undisturbed, and this will avoid the need to move different bottles around.

Capacity

Approx. 38 Bordeaux bottles (0.75 l) can be stored:

- 15 in the upper zone
- 23 in the lower zone

Wooden shelves

The wooden shelves are on runners, and can be pulled out to make it easier to store and remove bottles.

Descriptive labels

Use the labels supplied to identify your wine quickly and easily. Insert the labels into the metal holders at the front of the shelves from above.

Additional labels can be obtained from Miele.

Alarm

The appliance is equipped with an alarm system to ensure that the temperature does not rise or fall unnoticed and impair the wine.

Temperature alarm

An alarm will sound if the temperature in one of the zones rises or falls outside the set temperature range. The temperature display for the affected zone(s) will flash while the alarm sounds.

The set temperature determines which temperatures will trigger the alarm.

The alarm will sound and the temperature display will flash:

- when you switch the appliance on, if the temperature inside the appliance is very different from the set temperature.
- if there has been a lengthy interruption to the power supply.

Door alarm

If the door has been left open for more than approx. 60 seconds, the alarm will sound.

Activating the alarm system

The alarm system is always active. It does not have to be turned on manually.

Turning the alarm off early

Once the set temperature has been reached in the appliance, the alarm stops and the relevant temperature display shows a continuous light. However, if the noise disturbs you, you can turn the alarm off early if you wish.



- Press the Alarm Off button.
The alarm will stop. The relevant temperature display continues to flash until the set temperature has been reached. The display then shows a continuous light, and the alarm system becomes fully active again.

Over time, condensate and frost can build up on the back wall of the appliance. These are automatically defrosted and removed by the appliance.

The condensate is drained away through a channel and drain hole into an evaporation system at the back of the appliance.

It is important to ensure that the condensate channel and drain hole are never blocked, so that condensate can flow away unobstructed.

Cleaning and care

To reduce the risk of electrical shock, disconnect the appliance from the power supply by shutting off the power main, tripping the circuit breaker or unplugging the power cord before maintenance.

Never use cleaning agents containing abrasive substances such as sand, soda (sodium carbonate), acids or chemical solvents.
"Non-abrasive" cleaning agents are also unsuitable as they can cause matte areas to appear.

Make sure that water cannot get into the electronic unit or into the lighting.

Do not let water get into the drainage channel or drain hole when cleaning.

Do not use steam cleaning equipment to clean the appliance. Steam could reach the electrical components and cause a short circuit.

The data plate located inside the appliance must not be removed. It contains information that will be required in the event of a Service call.

Before cleaning

- Unplug the appliance from the socket.
- Take out any removable parts, e.g. shelves, for cleaning.

Cleaning the interior, door and accessories

Use a mild solution of warm water and liquid dish soap. All accessories and shelves should be hand-washed only.

- Clean the condensate channel and drain hole frequently, so that condensate can drain away unhindered. Use a straw or similar item to clear the drain if necessary.
- After washing, wipe down the interior and accessories with a clean wet cloth, then dry with a soft cloth. Leave the appliance doors open for a short time, so the moisture can evaporate. Clean the appliance door with a proprietary glass cleaner.

Ventilation slits

- The ventilation slits should be cleaned regularly with a brush or vacuum cleaner. A build-up of dust will increase the energy consumption of the appliance.

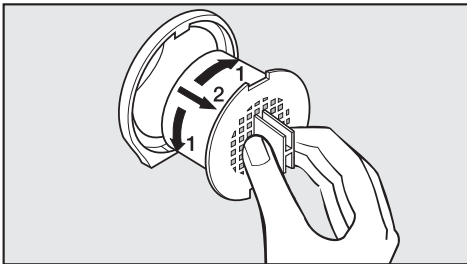
Door seal

Do not use any oils or grease on the door seal as these will cause the seal to deteriorate and become porous over time.

The door seal should be cleaned regularly with clean water, then wiped dry with a soft cloth.

Active charcoal filter

Replace the active charcoal filters with new ones once a year. These are available from Miele.



- Turn the filters 90° clockwise or counter-clockwise.
- Remove the filters.
- Insert the new filters with the handle in the vertical position.
- Turn the filters 90° clockwise or counter-clockwise until they click into position.

After cleaning

- Replace all shelves in the appliance.
- Insert the plug in the power outlet and turn the appliance back on.

Problem-solving guide

Repairs should only be carried out by a qualified and trained person in strict accordance with local and national safety regulations. Unauthorized repairs could cause personal injury or machine damage and may void the warranty.

With the aid of the following guide minor problems can be corrected without a service call.

What to do if . . .

. . . the appliance does not get cool.

- Check whether the appliance has been turned on. The temperature display must be lit up.
- Check that the plug is correctly inserted in the power outlet.
- Check that the fuse is not defective and has not been tripped. Reset the circuit breaker.

. . . the appliance is kicking on too frequently and for too long.

- Check whether the ventilation slits are covered or dusty.
- The appliance door has been opened too frequently.
- Check that the door has been closed properly.

. . . the alarm sounds and the temperature display flashes.

- Has the appliance door been open for longer than 60 seconds?

If not, then the temperature is above or below the set temperature. Possible reasons:

- The appliance door has been opened too frequently.
- the ventilation slits are covered.
- there has been a lengthy interruption to the power supply.

Once the problem has been resolved the temperature display will light up continuously, and the alarm will stop.

. . . a bar is lit up or flashing in the temperature display.

Only temperatures within the range that the appliance can display will be shown. If the temperature is not within this range, a bar will be displayed instead.

. . . "F0" or "F1" appears in the temperature display.

There is a fault. Contact MieleCare.

. . . you cannot turn the appliance off.

The safety lock has been activated.

. . . the interior light is not working.

Contact MieleCare.

If, after following these suggestions, you still cannot remedy the fault, please contact MieleCare.

To prevent unnecessary loss of temperature it is advisable not to open the door while waiting for the appliance to be serviced.

Noises

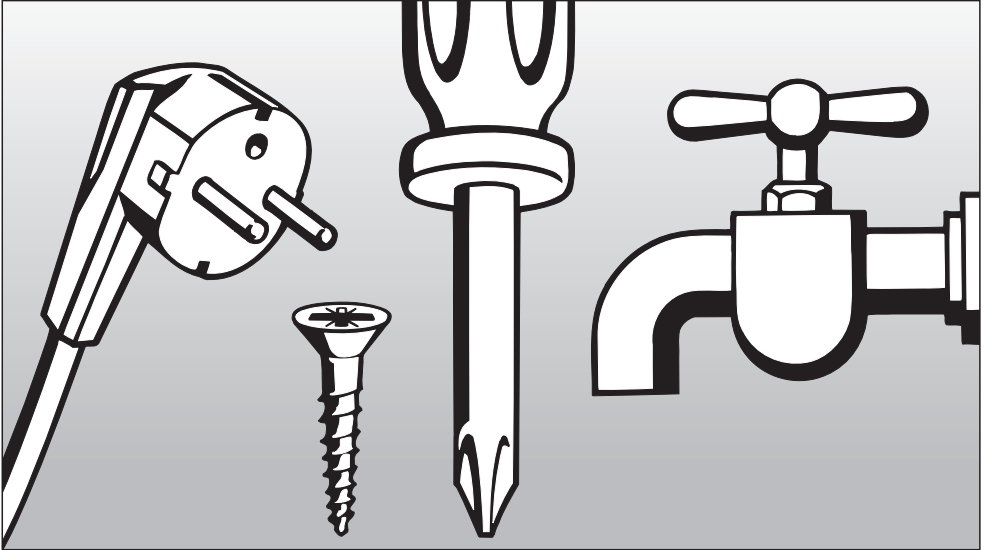
Normal noises	What causes them?
Brrrrr...	Humming noise made by the motor (compressor). This noise may get louder for brief periods, whenever the motor kicks in.
Blubb, blubb....	A gurgling noise can be heard when coolant is circulating through the pipes.
Click....	Clicking sounds occur whenever the thermostat switches the motor on or off.
Sssrrrrr....	In multi-zone and frost-free appliances, the movement of air circulating through the appliance can sometimes just barely be heard.

Please bear in mind that a certain amount of noise is unavoidable (from the compressor, and the coolant circulating through the system).

Noises that you can easily rectify	What causes them, and what can you do about them?
Rattling, vibrating	The appliance is uneven: Balance the appliance using a level, and by raising or lowering the screw feet underneath the appliance, or placing something underneath them.
	The appliance is touching another appliance or piece of furniture: Move it away.
	Drawers, baskets, or shelves are unstable or sticking: Check all removable items and refit them correctly.
	Bottles or containers are unstable or knocking against each other: Separate them.
	The transport cable clips are hanging loose at the back of the appliance: Remove the clips.

In the event of a fault which you cannot easily fix yourself, please contact the Miele Technical Service Department at the address on the back of this booklet.

When contacting the Technical Service Department, please quote the model and serial number of your appliance given on the data plate inside the appliance.




Installation instructions

To prevent accidents
and machine damage
read these instructions

before
installation or use.

Electrical connection

 Avoid the risk of electrical shock

- Plug into a grounded 3-prong outlet.
- Do not move the ground plug.
- Do not use an adapter.
- Do not use an extension cord.

Failure to follow these instructions can result in death, fire, or electrical shock.

Improper connection of the equipment grounding conductor may result in electric shock. If you are in any doubt as to whether the appliance has been properly grounded, have the appliance checked by a qualified electrician or service technician.

Installation, repairs and other work by unqualified persons could be dangerous. The manufacturer will not be held responsible for damage or injury arising from unauthorized work.

Before installing the appliance, verify that the voltage, load and circuit rating information found on the data plate match the household electrical supply.

The appliance comes with a UL-listed, 3-wire power supply cord.


The appliance requires a 3-wire receptacle.

The receptacle must be installed by a licensed electrician only.

In the case of side-by-side installations, a separate outlet must be used for each appliance. Ideally, the power outlet should be next to the appliance and easily accessible. Do not connect the appliance to the power supply by an extension cord. Extension cords do not guarantee the required safety of the appliance (danger of overheating).

If any changes are needed to the household wiring or power supply, this work must be performed by a qualified electrician.

If there are any questions regarding the electrical connection of this appliance to the power supply, please consult a licensed electrician or call the Miele Technical Service.

 1-800-565-6435

This appliance must be built in; otherwise it could tip over.

To ensure that the appliance functions correctly in tropical climates where the ambient temperature exceeds 38°C and air humidity levels exceed 70%, the appliance **MUST** be used in a climate-controlled room.

Location

The appliance should be installed in a dry, well-ventilated room.

The room temperature should not go above or below the climate range for which the appliance is designed.

The higher the ambient temperature of the room, the more energy the appliance requires to operate.

The appliance should not be installed where it will be exposed to direct sunlight or directly adjacent to a heat-producing appliance such as an oven or a radiator.

Climate range

The appliance is designed for use within certain climate ranges (ambient temperatures), and should not be used outside this range. The climate range of the appliance is stated on the data plate inside the appliance.

Climate range	Ambient room temperature
SN	+10°C to +32°C
N	+16°C to +32°C
ST	+18°C to +38°C
T	+18°C to +43°C
SN-ST	+10°C to +38°C
SN-T	+10°C to +43°C

If the appliance is used in a room that is too cold, the cooling system will switch off for too long, causing the internal temperature in the appliance to rise, with the risk of affecting the wine stored there.

Ventilation

The air at the back of the appliance gets warm. The appliance housing unit must be constructed to allow sufficient space for ventilation.

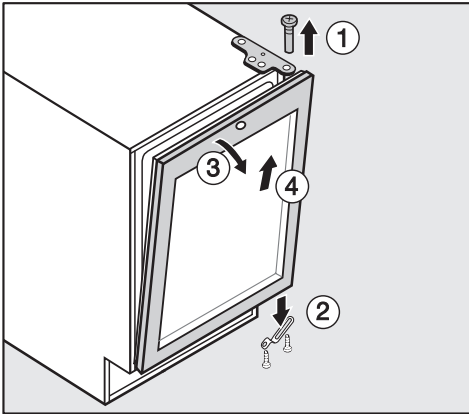
The air intake and outlet must not be covered or blocked in any way. They should be dusted on a regular basis.

Before installation

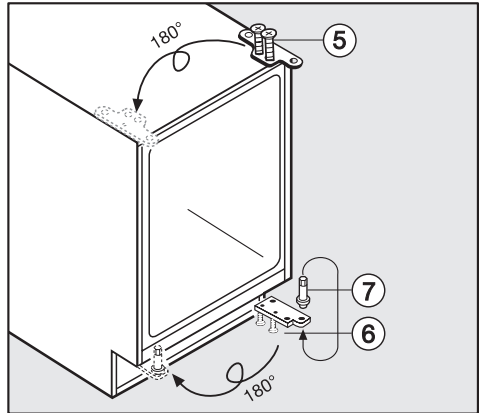
- Before building in, remove all accessories from the appliance.
- Remove any cable clips from the rear of the appliance.
- Check that all parts at the back of the appliance are unhindered. Carefully remove any hindrances.

Changing the door hinging

The appliance is supplied right-hand hinged. If left-hand door hinging is required, follow the instructions below.

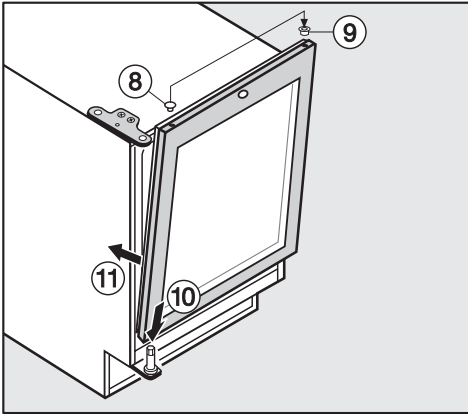


- Close the door, and unscrew the top hinge pin from the door ①.
- Unscrew the door stay ② from underneath the door.
- Tip the door forward slightly ③, and lift it up and off ④.

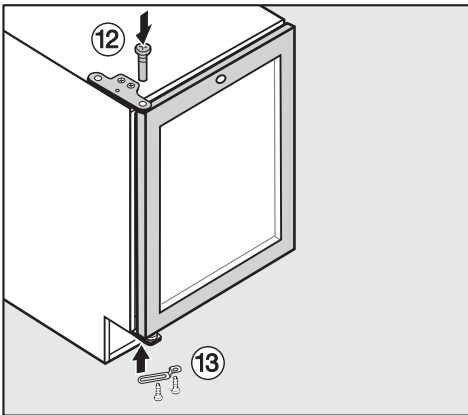


- Unscrew the top hinge plate ⑤, turn it around, and refit it on the opposite side.
- Unscrew the lower hinge plate ⑥.
- Remove the hinge pin ⑦, and replace it in the hinge plate from underneath. Ensure that the spacer on which the hinge pin sits is correctly positioned.
- Turn the hinge plate around, and refit it on the opposite side.

Changing the door hinging



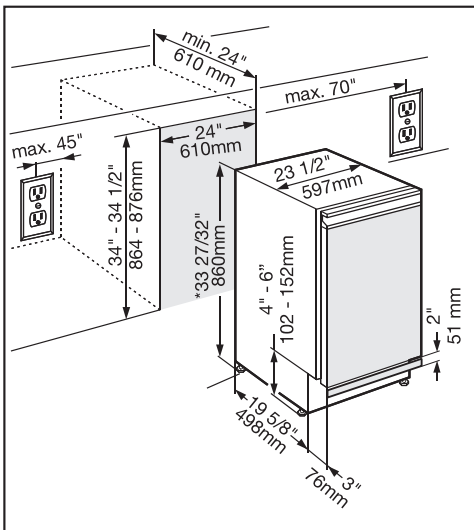
- Swap over the plug ⑧ and the hinge pin guide ⑨ in the top of the door.
- Hang the door on the lower hinge pin ⑩, and close the door ⑪.



- Refit the top hinge pin ⑫ through the hinge pin plate into the door.
- Refit the door stay ⑬ underneath the appliance by securing one screw into the appliance door and another through the plastic part of the hinge pin plate.

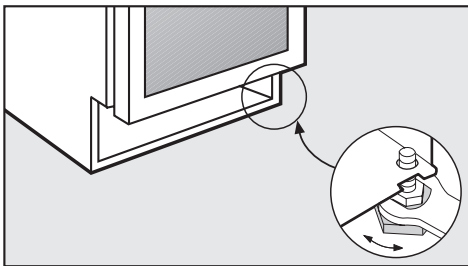
Under-counter installation

Appliance dimensions



* The overall height can be increased by 2 inches (50 mm) by adjusting the feet.

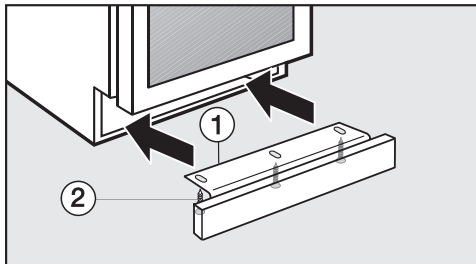
Adjustments



- Use the flat wrench provided to adjust the feet as needed, so that the appliance fits the countertop height.

Preparing the appliance

- With two people, carefully tip the appliance backward.

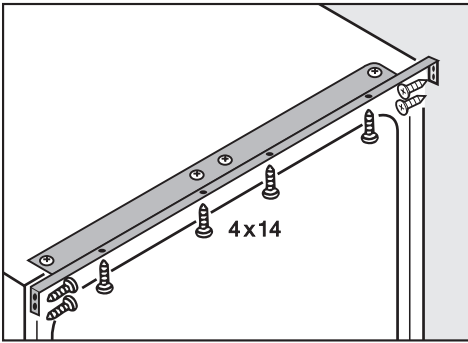


- Attach the supplied trim panel ① below the appliance, and loosely tighten the screws ②.
- Arrange the trim panel ① over the long holes in the appliance door recess.
- Tighten the screws ② all the way down onto the trim panel ①.

Fitting the appliance into place

- Slide the appliance into the installation area.
Ensure that the power cord does not get caught.

Make sure the power socket remains accessible.



- Using the attachment strip and screws, fit the appliance into place.



Miele Limited

Headquarters and Showroom

161 Four Valley Drive

Vaughan, ON L4K 4V8

Phone: 800-643-5381

905-660-9936

Fax: 905-532-2290

www.miele.ca

info@miele.ca (general enquiries)

professional@miele.ca (commercial enquiries)

MieleCare National Service

Phone: 800-565-6435

905-532-2272

Fax: 905-532-2292

customercare@miele.ca (technical enquiries)

